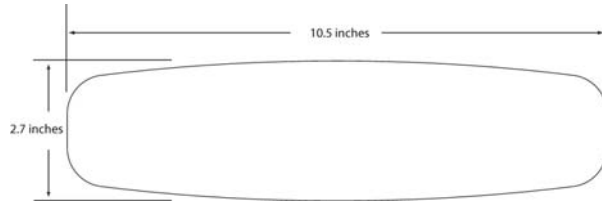
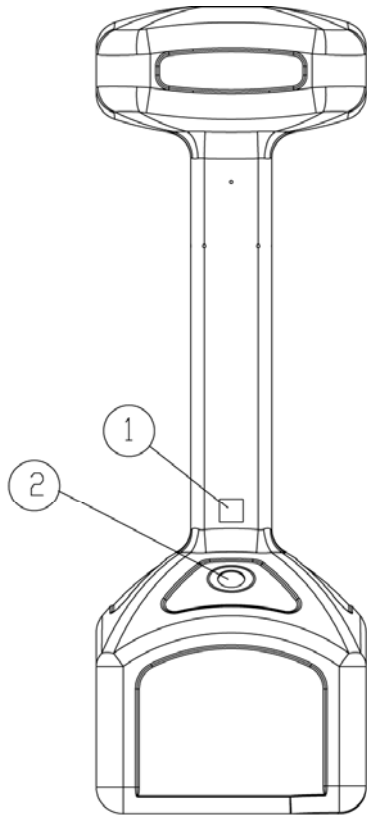
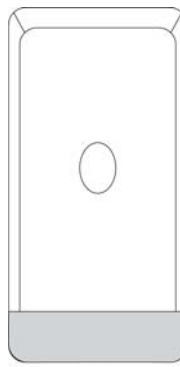


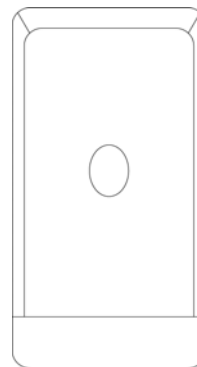
HANDISTAND™



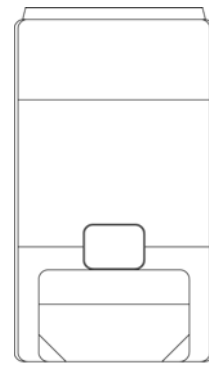
Recess Decal Dimensions
10.5 in. x 2.7 in



20893



20894



20895

1



2



REV B ITEM #	PART#	QTY PER UNIT	DESCRIPTION	PRICE EACH
	20847	NO DISPENSERS	HANDISTAND	
	20893		KIT- 800ML DISPENSER (EA) BLACK	
	20894		KIT- 1000ML DISPENSER (EA) BLACK	
	20895		KIT- FOAM DISPENSER (EA) BLACK	
1	20889	1	DECAL	
	21083	4	DECAL- HANDISTAND	
2	14411	1	PLUG – 2 IN. BLACK	

Consult Your Area Manager at:

Tel: 1-800-883-1123 (US & Canada) Fax: 1-800-328-3334 (US & Canada)

Web Site: www.satelliteindustries.com