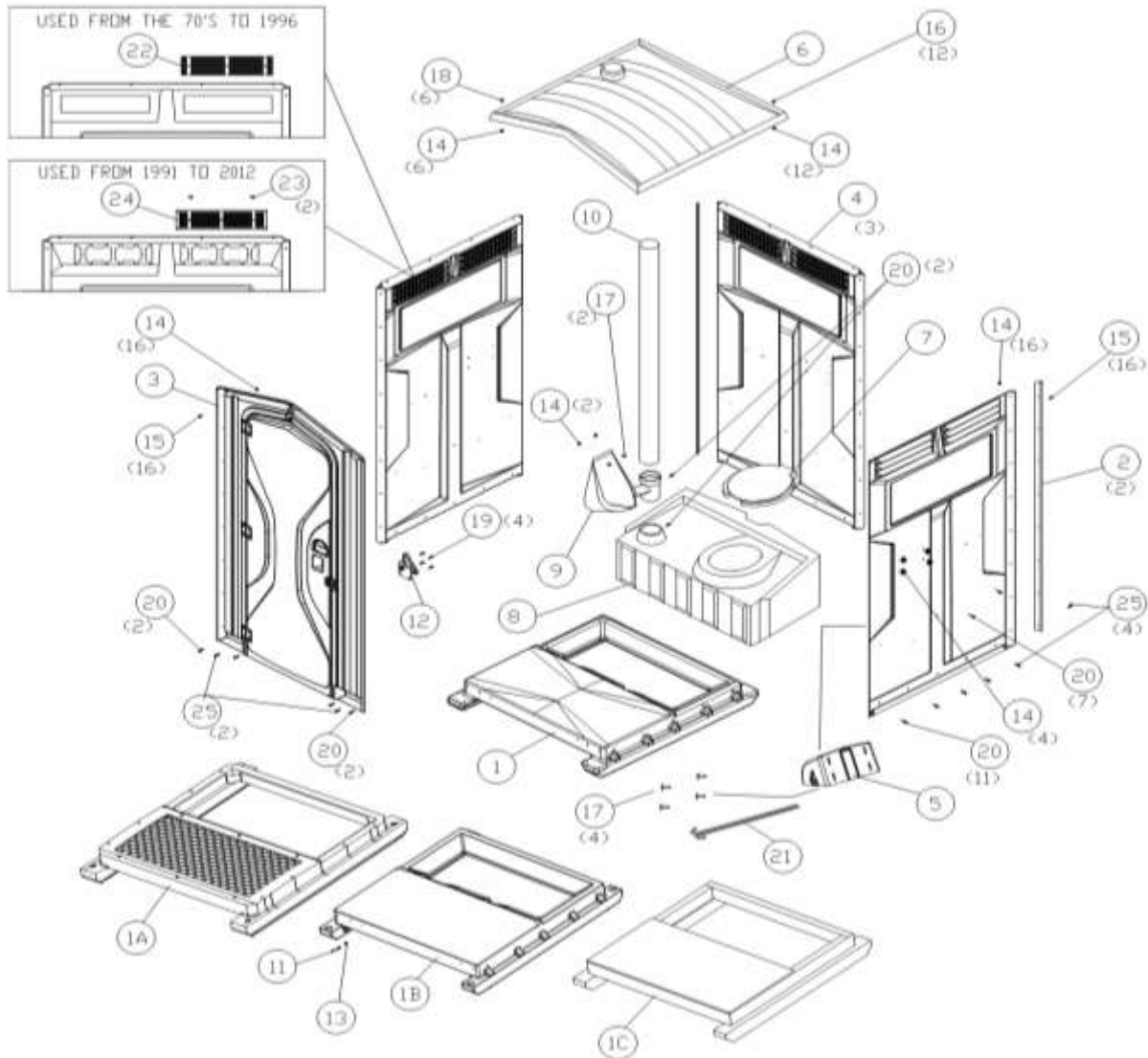


TUFWAY® MAJOR ASSEMBLY



TUFWAY® COLOR CHART

	SAND	AQUA	ROYAL BLUE	FOREST GREEN	DARK GREY	BROWN
FRONT PART # (NOT LATCH)	12728	13816	13936	14195	15765	10521
PANEL PART #	12614	12613	13938	14794	16643	

CUSTOM COLORS ( QTY 300 – 4 TO 6 WEEKS LEAD TIME FROM ORDER RELEASE)

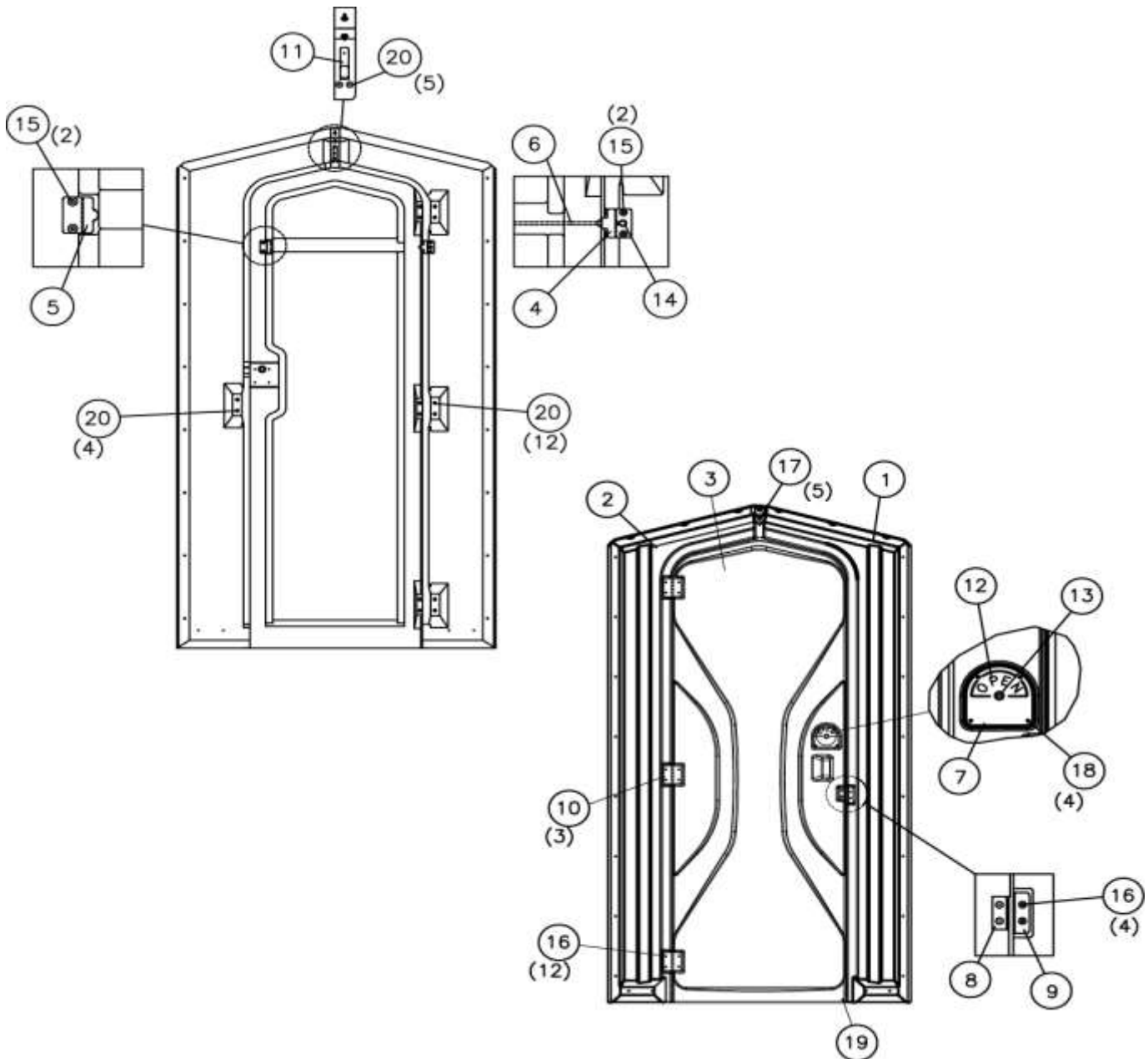
CONTACT AREA MANAGERS FOR PRICING

	RED	YELLOW	ORANGE	EMERALD	SKY BLUE	WILLOW GREEN
FRONT PART # (NOT LATCH)	19375	16546	14129	16510		
PANEL PART #	19266	16542	14702	16506	12612	12611

## TUFWAY® MAJOR ASSEMBLY

REV DD ITEM #	PART#	QTY PER UNIT	DESCRIPTION	PRICE EACH
1	22234	1	BASE- BLOWMOLDED Bolt/w washer may be needed item#22384 (6 per base)	
1A	40014	1	BASE- GB DIRT BUSTER	
1B	19014	1	BASE- TUFWAY ROTOMOLDED Discontinued	
1C	15852	1	BASE- TUFWAY/MX2 RECYCLED PLST Discontinued	
2	16050	2	CORNER MOLDING II- BLACK PUNCH	
3	SEE CHART	1	FRONT ASSY- TUFWAY (NO LATCH)	
4	SEE CHART	3	PANEL- TUFWAY	
	15567	1	HDWE- TUFWAY	
	17082	1	HOOD- PAPERGUARD 2 ROLL DGRY	
5	22209	1	HOOD- PAPERGUARD 3 ROLL DGRY	
	16928	1	KIT- PAPERGRD 2 ROLL PUSH CAP	
	16845	1	KIT- PAPERGRD 2 ROLL POP RVT	
	22337	1	KIT- PAPERGRD 3 ROLL PUSH CAP	
	22335	1	KIT- PAPERGRD 3 ROLL POP RVT	
	19408	1	KIT- PAPERGRD 4 ROLL VERTICAL	
6	16045	1	ROOF- TUFWAY DOME	
7	10570	1	SEAT- TOILET BLACK (INCLUDES HARDWARE - 10 PER CASE)	
	19196	1	KIT- T/SEAT 2-1/2 BOLT/NUT SET	
8	10553	1	TANK- TUFWAY DGRY	
9	14119	1	URINAL - STANDOVER DGRY (USE WITH VENT PIPE 14133)	
10	14133	1	VENT PIPE- 4 X 62-1/2 GREY	
	11946	1	VENT PIPE- 4 X 68 GREY (W/O HOLE & NO URINAL RQRD)	
11	13173	1	BOLT- 5/16 X 3 IN HWHD (FOR RECYCLED & ROTO BASES)	
12	14767	1	LATCH- RESTROOM PLASTIC	
13*	18191	1	NUT- 5/16 SERRATED FLANGE	
14*	10047	56	PUSH CAP- 3/16 ID	
15*	10629	32	RIVET- SOLID SHORT (FLAT)	
16*	18721	12	RIVET- SOLID SHORT FLAT W/WSHR (10629 & 18845)	
	18845	12	WASHER- RUBBER 3/16 THK	
17*	10801	6	RIVET- SOLID LONG (DOME)	
18*	18722	6	RIVET- SOLID LONG DOME W/WSHR (10801 & 10068)	
	10068	6	WASHER- RUBBER 3/32 THK	
19*	10122	4	SCREW- #10 X 3/4 PHPN TAP PLTD	
20*	13860	29	SCREW- #14 X 1-1/2 W/WSH GOLD	
	16844	1	SPINDLE- PAPERGRD 2 ROLL METAL	
	12642	1	SPINDLE- PAPERGRD 2 ROLL WOOD	
21	22310	1	SPINDLE- PRGRD II 3 ROLL METAL	
	18696	1	SPINDLE- PAPERGRD 3 ROLL WOOD	
22	14311	6	SCREEN- 3 X 13 PLST VENT (OLDER PANELS)	
23	15337	12	RIVET- .195in PLASTIC EXPANDING	
24	14112	6	SCREEN- 3.8 X 15.25 PLST VENT	
25	22384	6	BOLT-1/4-20X1-1/4 DOG PNT WSH	
	10900	1	INSTRUCTIONS- TUFWAY (NOT SHOWN)	

## TUFWAY® FRONT ASSEMBLY



TUFWAY TOILET SPECIFICATIONS	
HEIGHT: 88" (223MM)	STANDARD TANK VOLUME: 70 GAL (265L)
WIDTH: 44" (1118MM)	FLOOR SPACE: 41"-21" (1041MM X 533MM)
DEPTH: 48" (1219MM)	SEAT HEIGHT: 18" (457MM)
WEIGHT (ROTO BASE): 165 lbs (75kg)	DOOR SPACING: 73" X 24" (1854MM) X 610MM)
WEIGHT (RECYCLED BASE): 209 lbs (94kg)	

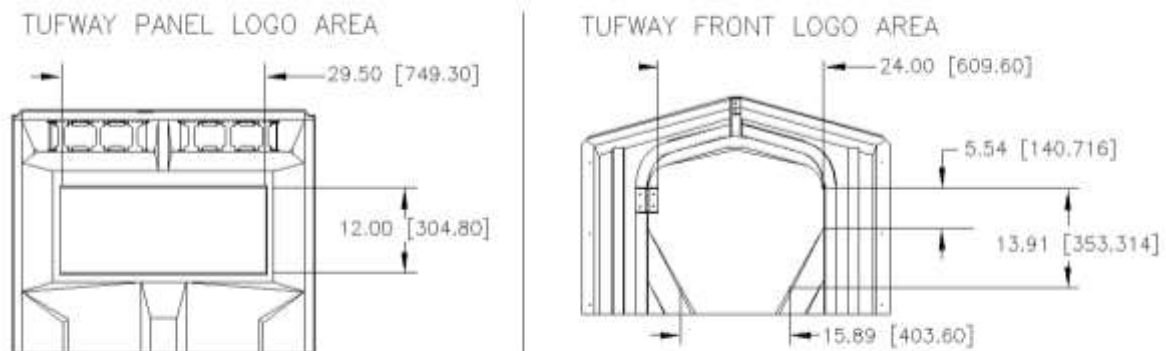
Visa / Mastercard / American Express / Discover  
 \$25.00 Minimum Order — Prices and quantities subject to change / all prices are FOB FACTORY — Priced in U.S. Dollars  
 20% minimum restocking charge applies on returns

## TUFWAY® FRONT ASSEMBLY

REV Q ITEM #	PART#	QTY PER UNIT	DESCRIPTION	PRICE EACH
1		1	FACING- TUFWAY HASP	NOT SALEABLE
2		1	FACING- TUFWAY HINGE	NOT SALEABLE
3		1	DOOR- TUFWAY	NOT SALEABLE
	SEE CHART	1	FRONT ASSY- TUFWAY (NO LATCH)	
4	10889	1	BRACKET- CABLE ANCHOR TUFWAY (Jam Side)	
5	10511	1	BRACKET- SPRING ANCHOR TUFWAY (Outer Door)	
6	10888	1	CLOSURE ASSY- TUFWAY DOOR	
	11954	1	KIT- TUFWAY SPRING CLOSURE RPL (INCLUDES SPRING & RIVETS)	
7	13415	1	COVER- INDICATOR BLACK	
8	13197	1	HASP- 3/16 RIVET HOLE DOOR	
9	13199	1	HASP- 3/16 RIVET HOLE FACING (LONG)	
10	13266	3	HINGE- DOOR STNLS ROUND CORNER	
11	10891	1	HOOK- FLAT COAT STNLS (METAL)	
12	15630	1	INDICATOR- UNIVERSAL	
13*	10161	1	PLUG- 1/2 INDICATOR BLACK PLST	
14	14803	1	PLUG- 3/8 HOLE	
15*	12393	4	RIVET- #64 AAP POP	
16*	11270	16	RIVET- #68 STNLS	
17*	10812	5	RIVET- #612 ALUM	
18*	10804	4	SCREW- #8 X 3/4 PHPN TAP	
19*	12007	1	SCREW- #10 X 1-1/4 PN PH TAP	
20*	11315	21	WASHER- 3/16 RIVET STNLS	
	14198	1	KIT- LATCH & INDICATOR (TUFWAY- MAXIM 2000 & LIBERTY)	
	15391	1	KIT- PLASTIC DOOR LATCH (TUFWAY- MAXIM 2000 & LIBERTY)	
	13726	1	KIT- UNIVERSAL INDICATOR (TUFWAY- MAXIM 2000 & LIBERTY)	
	17372	1	KIT- TUFWAY HANDLE SCREW/NUT	

\* ONLY SOLD IN MULTIPLES OF 100

## TUFWAY® LOGO AREAS



Consult your Area Manager at:  
 Tel: 1-800-883-1123 (US & Canada) Fax: 1-800-328-3334 (US & Canada) Español: 1-877-452-1187  
 Website: [www.satelliteindustries.com](http://www.satelliteindustries.com)

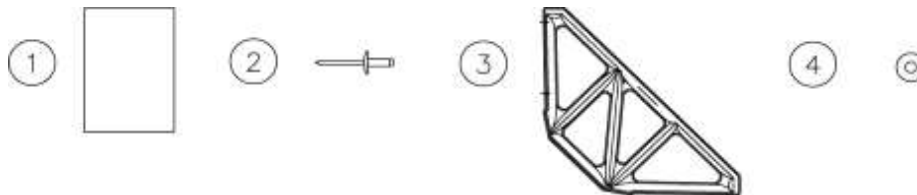
**MIRROR**  
Can be use with

**TUFWAY- TAURUS- MAXIM 2000- MAXIM 3000- HIGH TECH I- GLOBAL- GLOBAL 1.5-  
FREEDOM 3 AND LIBERTY RESTROOM MODELS**



REV F	PART#	QTY PER UNIT	DESCRIPTION	PRICE EACH
	17378		KIT- MIRROR 4 X 6 STNLS	

**TUFWAY® SHELF**



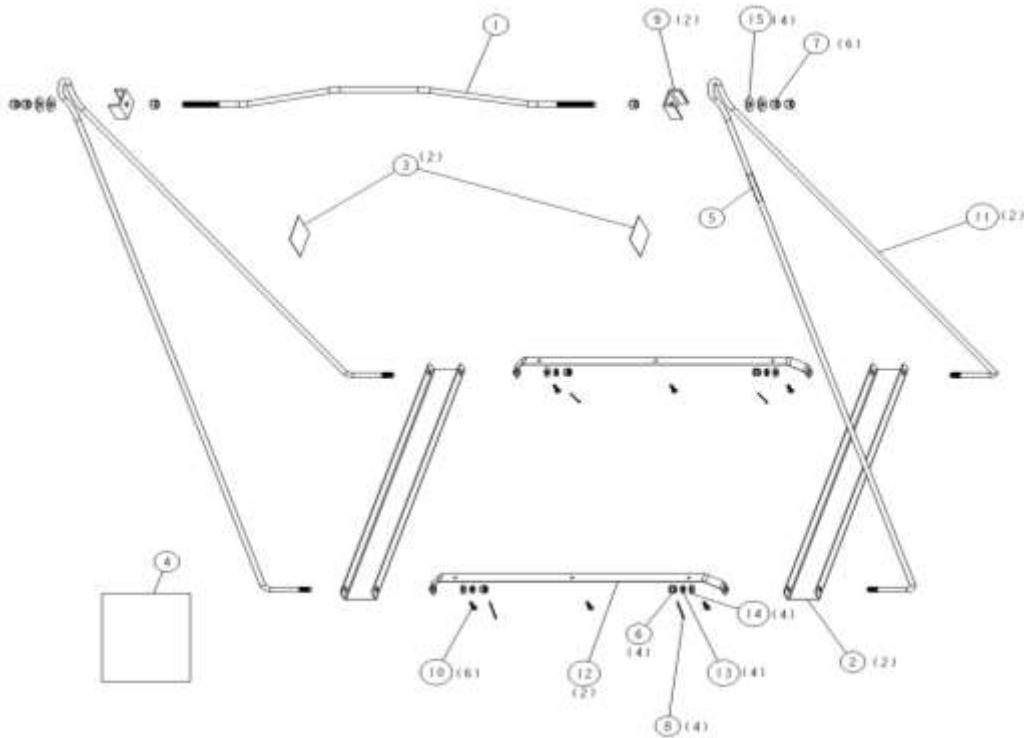
REV C ITEM #	PART#	QTY PER UNIT	DESCRIPTION	PRICE EACH
	17371		KIT- TUFWAY SHELF	
1	17455		INSTRUCTIONS- TUFWAY SHELF	
2*	11030	4	RIVET- #66 AAL POP	
3	16075	1	SHELF- MX2 & TUFWAY	
4*	11315	2	WASHER- 3/16 RIVET STNLS	

\* ONLY SOLD IN MULTIPLES OF100

## 2X WET LIFT KIT

ROTO &amp; UNIVERSAL BLOW BASE (TUFWAY – MAXIM 2000 – MAXIM 3000 &amp; GLOBAL)

Cannot be used with Dirt Buster Base



REV D ITEM #	PART#	QTY PER UNIT	DESCRIPTION	PRICE EACH
	22370	1	KIT- 2X RESTROOM WET LIFT	
1	16132	1	BAR- HIGH RISE II SPREADER PLT	
2	22363	2	CRADLE- 2X WET LIFT	
3	22364	2	DECAL- 2X WET LIFT	
4	22365	1	INSTRUCTIONS- 2X WET LIFT (NOT SHOWN)	
5	22371	1	NAME PLATE- 2X REST WET LIFT	
6*	22367	4	NUT - 5/8-11 SLOTTED HEX	
7*	10767	6	NUT- 5/8 NC	
8	10851	4	PIN- 1/8 COTTER STNLS	
9	10263	2	RETAINER- HIGHRISE HANGER	
10*	13860	6	SCREW- #14 X 1-1/2 W/WSH GOLD	
11	16129	2	SLING- HIGH RISE II PLTD	
12	22368	2	STRAP- HIGH RISE HANGER PLTD	
13*	12390	4	WASHER- 3/4 FLAT	
14	22369	4	WASHER- 5/8 FLAT	
15*	11366	4	WASHER- 5/8 LOCK	

\* ONLY SOLD IN MULTIPLES OF 100