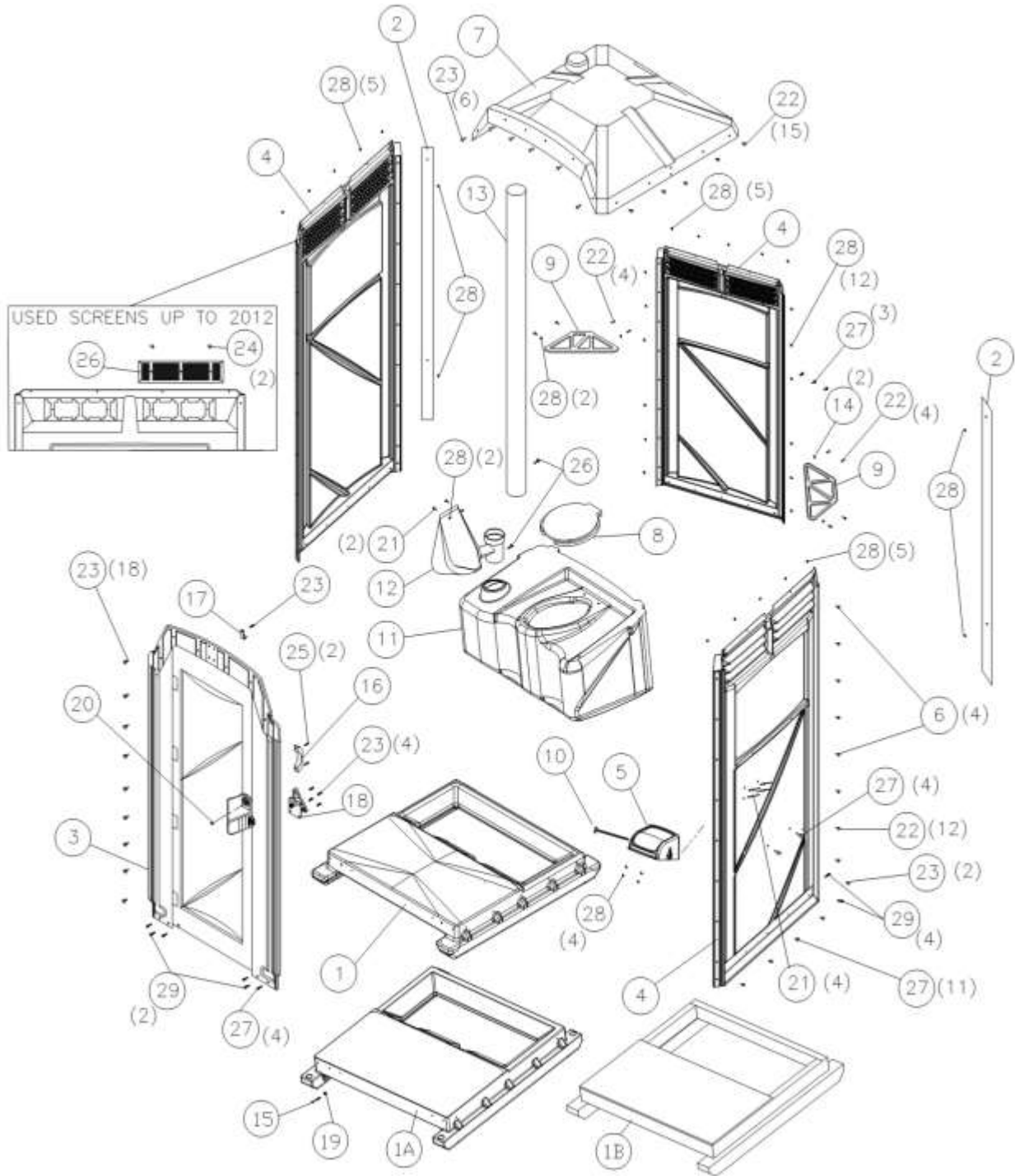


MAXIM 2000®II MAJOR ASSEMBLY



CUSTOM COLORS ( QTY 300 – 4 TO 6 WEEKS LEAD TIME FROM ORDER RELEASE)  
 CONTACT AREA MANAGERS FOR PRICING

Visa / Mastercard / American Express / Discover  
 \$25.00 Minimum Order — Prices and quantities subject to change / all prices are FOB FACTORY — Priced in U.S. Dollars  
 20% minimum restocking charge applies on returns

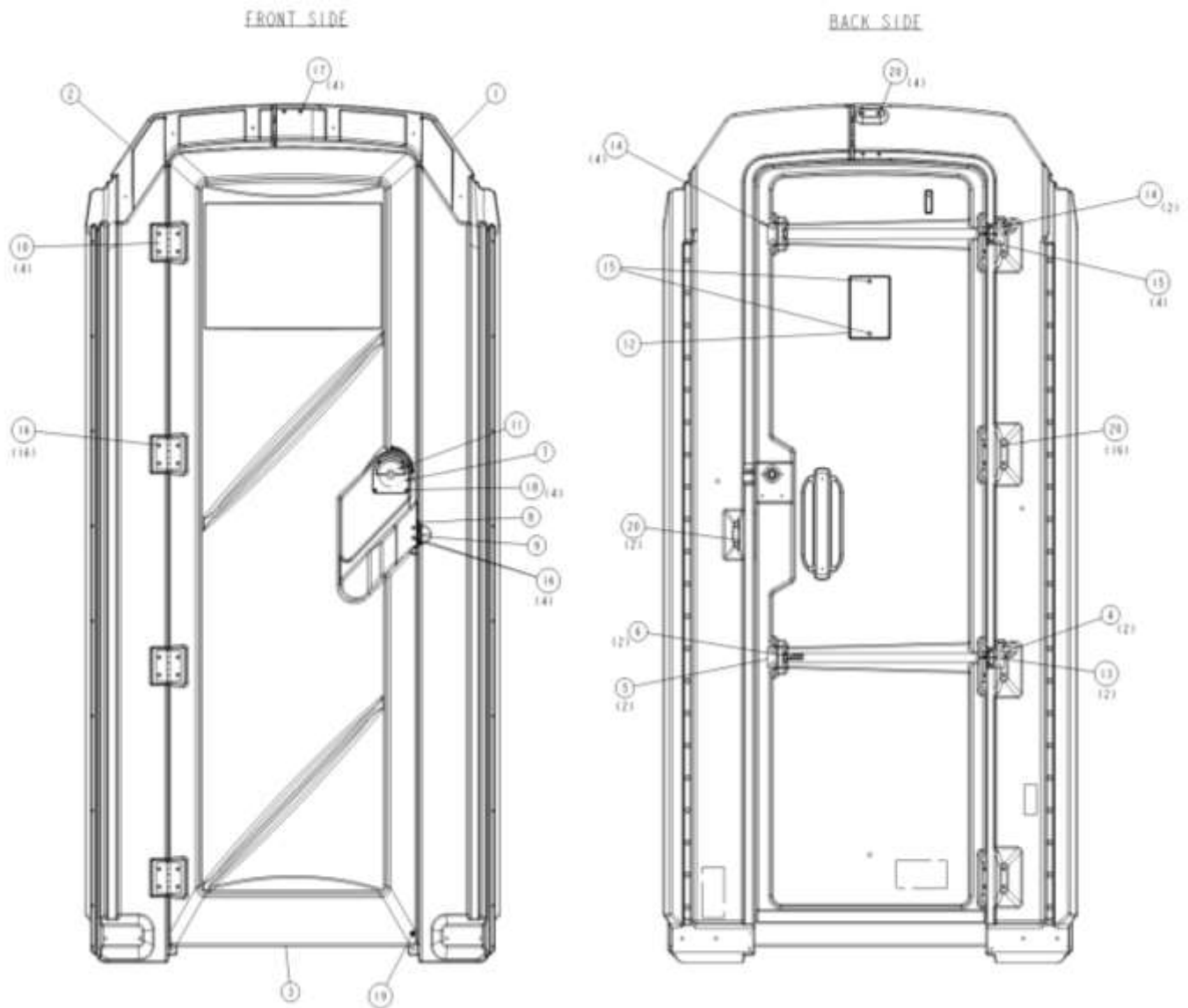
## MAXIM 2000®II MAJOR ASSEMBLY

REV Z ITEM #	PART#	QTY PER UNIT	DESCRIPTION	PRICE EACH
1	22234	1	BASE- BLOWMOLDED Bolt/w washer may be needed item#22384 (6 per base)	
1A	19014	1	BASE- TUFWAY ROTOMOLDED Discontinued	
1B	15852	1	BASE- TUFWAY/MX2 RECYCLED PLST Discontinued	
2**	MTO	2	CORNER COVER- DRILLED	
3**	MTO	1	FRONT ASSY- MAXIM 2000 II	
4**	MTO	3	PANEL- MAXIM 2000 II	
	16202	1	HDWE- MX2 II	
5	22209	1	HOOD- PAPERGRD 3 ROLL DGRY	
	17037	1	KIT- PAPERGRD 2 ROLL EXP RVT	
	22336	1	KIT- PAPERGRD II 3 ROLL EXP RVT	
	19408	1	KIT- PAPERGRD 4 ROLL VERTICAL	
6	18798	4	RIVET- #616 AAL POP	
7	16167	1	ROOF- MX2 II	
8	14959	1	SEAT- ELONG MX2/MX3/TRS/HT (GB BLK OLD TANKS PRE-05-11)	
	19196	1	KIT- T/SEAT 2-1/2 BOLT/NUT SET	
9	16075	2	SHELF- MX2 & TUFWAY (KIT# 17371)	
10	16844	1	SPINDLE- PAPERGUARD 2 ROLL METAL	
	12642	1	SPINDLE- PAPERGUARD 2 ROLL WOOD	
	22310	1	SPINDLE- PRGRD II 3 ROLL METAL	
	18696	1	SPINDLE- PAPERGUARD 3 ROLL WOOD	
11	14765	1	TANK- MX2 GREY	
12	14119	1	URINAL- STANDOVER DGRY	
13	14133	1	VENT PIPE- 4 X 62-1/2 GREY	
14*	11315	2	WASHER- 3/16 RIVET STNLS	
	16202	1	HDWE- MX2	
15*	13173	1	BOLT- 5/16 X 3in HWHD (FOR RECYCLED & ROTO BASES)	
16	16807	1	HANDLE- PLASTIC HOVER (Late 2017 to Present)	
	13279	1	HANDLE- DOOR (Late 2017 & Prier)	
17	10891	1	HOOK- FLAT COAT STNLS	
18	14767	1	LATCH- RESTROOM PLASTIC	
19*	18191	1	NUT- 5/16 SERRATED FLANGE	
20	10161	1	PLUG- 1/2 INDICATOR BLACK PLST	
21*	11054	6	RIVET- #68 AAL POP	
22*	11030	35	RIVET- #66 AAL POP	
23*	14427	31	RIVET- #66 LSH W/LOCK MANDREL	
24*	15337	12	RIVET- .195in PLASTIC EXPANDNG	
25*	17030	2	RIVET- AVDEL BLACK	
26	14112	6	SCREEN- 3.8 X 15.25 PLSTC VENT	
27*	13860	29	SCREW- #14 X 1-1/2 W/WSH GOLD	
28*	11315	39	WASHER- 3/16 RIVET STNLS	
29	22384	6	BOLT-1/4-20X1-1/4 DOG PNT WSH	
	15057	1	KIT- MX2 WESTERN LIFT	
	16186	1	INSTRUCTIONS- MAXIM 2000 II (NOT SHOWN)	

\* ONLY SOLD IN MULTIPLES OF 100

\*\* AVAILABLE LIMITED - CALL

MAXIM 2000® II FRONT ASSEMBLY



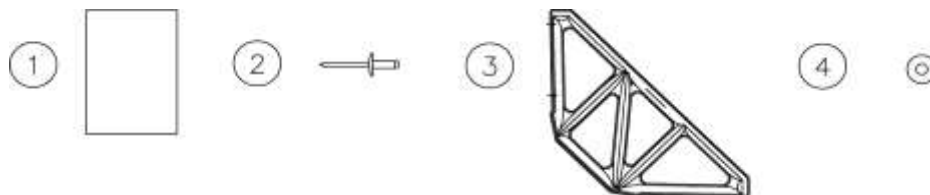
Visa / Mastercard / American Express / Discover  
 \$25.00 Minimum Order — Prices and quantities subject to change / all prices are FOB FACTORY — Priced in U.S. Dollars  
 20% minimum restocking charge applies on returns

MAXIM 2000® II FRONT ASSEMBLY

REV L ITEM #	PART#	QTY PER UNIT	DESCRIPTION	PRICE EACH
1		1	FACING- MAX2 HASP	NOT SALEABLE
2		1	FACING- MAX2 HINGE	NOT SALEABLE
3		1	DOOR- MAX2 II	NOT SALEABLE
4	14770	2	BRACKET- MAXIM CABLE ANCHOR	
5	10511	2	BRACKET- SPRING ANCHOR TUFWAY	
6	14649	2	CLOSURE ASSY- DOOR MX2/TM II	
7	13415	1	COVER- INDICATOR BLACK	
8	13199	1	HASP, 3/16" RIVET HOLE FACING (L Shaped)	
9	15059	1	HASP- FLAT 1-3/4in LONG	
10	13266	4	HINGE, DOOR STNLS ROUND CORNER	
11	15630	1	INDICATOR- UNIVERSAL DGRY	
12	14474	1	MIRROR- 4 X 6 STNLS STEEL	
13*	14803	2	PLUG- 3/8 HOLE	
14*	18755	6	RIVET- AVDEL SILVER LONG	
15*	12393	6	RIVET- #64 AAP POP	
16*	11270	20	RIVET- #68 STNLS	
17*	10812	4	RIVET- #612 ALUM	
18	10804	4	SCREW- #8 X 3/4 PHPN TAP	
19*	12007	1	SCREW- #10 X 1-1/4 PN PH TAP	
20*	11315	22	WASHER- 3/16 RIVET STNLS	
	14198	1	KIT- LATCH & INDICATOR	
	15391	1	KIT- PLASTIC DOOR LATCH	
	13726	1	KIT- UNIVERSAL INDICATOR	

\* ONLY SOLD IN MULTIPLES OF100

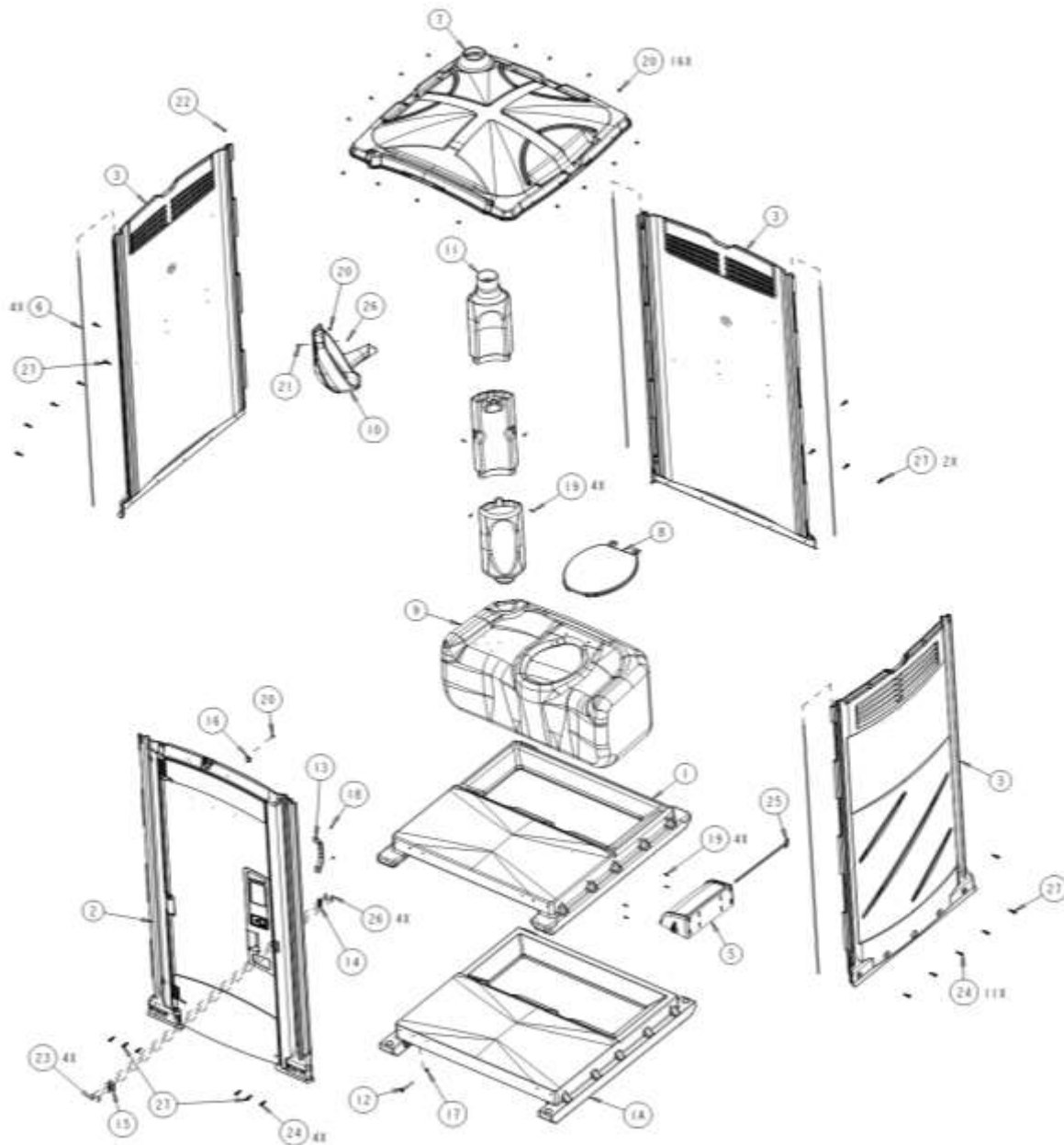
MAXIM 2000® II SHELF KIT



REV C ITEM #	PART#	QTY PER UNIT	DESCRIPTION	PRICE EACH
	17371		KIT- MAXIM II / TUFWAY SHELF	
1	17455		INSTRUCTIONS - SHELF	
2*	11030	4	RIVET- #66 AAL POP	
3	16075	1	SHELF- MX2 & TUFWAY	
4*	11315	2	WASHER- 3/16 RIVET STNLS	

\* ONLY SOLD IN MULTIPLES OF100

### MAXIM 3000 II® MAJOR ASSEMBLY



### MAXIM 3000® COLOR CHART

	TEAL	ROYAL BLUE	SAND	FOREST GREEN	GRANITE	GREY DOOR & VIP ONLY
DOOR ASSY PART#	22184	22182	22183	22180	22181	22187
PANEL ASSY PART#	22179	22177	22178	22175	22176	22188

Visa / Mastercard / American Express / Discover  
 \$25.00 Minimum Order — Prices and quantities subject to change / all prices are FOB FACTORY — Priced in U.S. Dollars  
 20% minimum restocking charge applies on returns

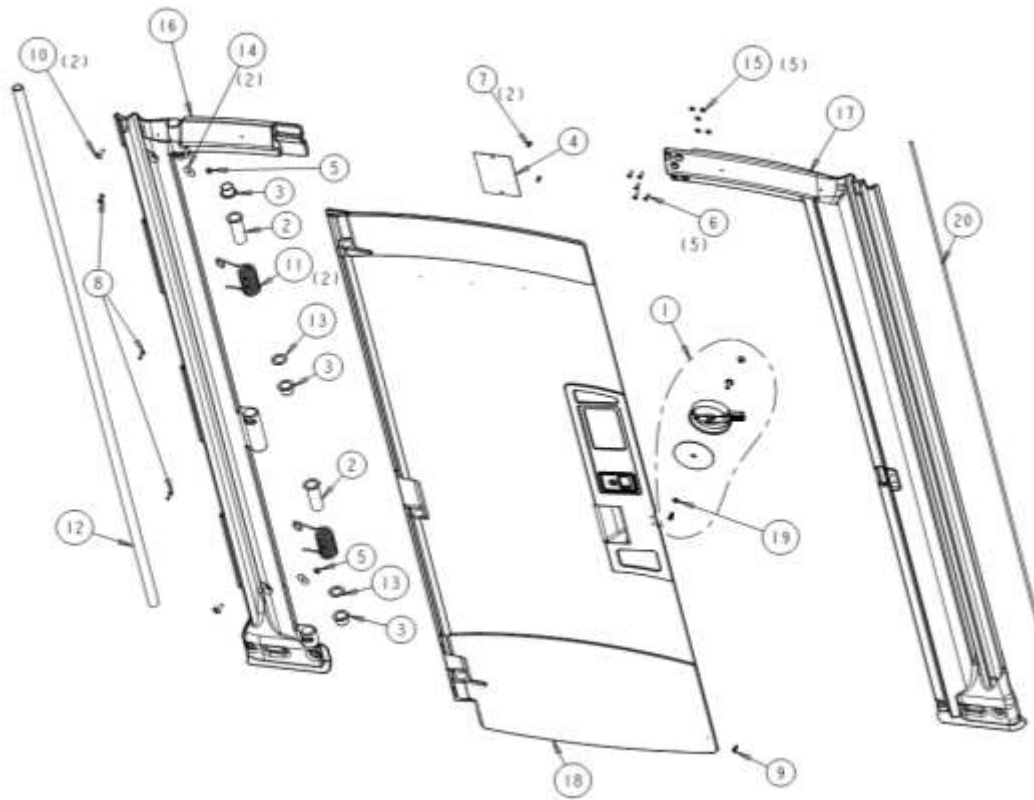
## MAXIM 3000 II® MAJOR ASSEMBLY

REV B ITEM #	PART#	QTY PER UNIT	DESCRIPTION	PRICE EACH
1	22234	1	BASE- BLOWMOLDED Bolt/w washer may be needed item#22384 (6 per base)	
1A	19014	1	BASE- TUFWAY ROTOMOLDED Discontinued	
2	SEE CHART	1	MAXIM 3000 II FRT ASSY	
3	SEE CHART	3	MAXIM 3000 II PANEL	
	22204	1	HDWE – MAXIM 3000 II	
5	22209	1	HOOD- PAPERGRD 3 ROLL DGRY	
6	18681	4	ROD- FIBERGLASS 72	
7	22191	1	ROOF- MAXIM 3000 II NATURAL	
8	14959	1	SEAT- ELONG MX2/MX3/TRS/HT BLK	
9	22192	1	TANK- MAXIM 3000 II DGRY	
10	22193	1	URINAL- MAXIM 3000 II DGRY	
11	22194	1	VENT PIPE- MAXIM 3000 II 3PC	
12	13173	1	BOLT- 5/16 X 3-1/2 HWHD	
13	16807	1	HANDLE- PLASTIC HOVER	
14	13197	1	HASP- 3/16 RIVET HOLE DOOR	
15	13199	1	HASP- 3/16 RIVET HOLE FACING	
16	10891	1	HOOK- FLAT COAT STNLS	
17*	18191	1	NUT- 5/16 SERRATED FLANGE	
18*	17030	2	RIVET- AVDEL BLACK	
19	18543	8	RIVET- 3/16 T PEEL	
20*	22199	18	RIVET- 3/16 TRIFIX ALUM LF	
21*	11024	1	RIVET- #610 AAP	
22*	10812	1	RIVET- #612 ALUM	
23*	11270	4	RIVET- #68 STNLS	
24*	13860	25	SCREW- #14 X 1-1/2 W/WSH GOLD	
25	22310	1	SPINDLE- PRGRD II 3 ROLL METAL	
26*	11315	6	WASHER- 3/16 RIVET STNLS	
27	22384	6	BOLT-1/4-20X1-1/4 DOG PNT WSH	
	22336	1	KIT- PAPERGRD II 3ROLL EXP RVT	

\* ONLY SOLD IN MULTIPLES OF 100

## MAXIM 3000® II FRONT ASSEMBLY

August 2016



REV G ITEM#	PART#	QTY PER UNIT	DESCRIPTION	PRICE EACH
		1	DOOR ASSY – MX3	NOT SALEABLE
1	17168	1	KIT- MX3 LATCH REPLACEMENT	
2	22190	2	BUSHING- MAXIM 3000 II DR SPRG	
3	22196	3	BUSHING- MAXIM 3000 II DR TUBE	
4	14474	1	MIRROR- 4 X 6 STNLS STEEL	
5*	20840	2	NUT- 5/16-18 NYLOC STNLS	
6*	22207	5	RIVET- #68 AAP POP	
7*	11027	2	RIVET- #66 ALUM	
8*	17436	3	RIVET- AVDEL SILVER	
9*	10122	1	SCREW- #10 X 3/4 PHPN TAP PLTD	
10	16808	2	SCREW- 5/16-18 X 7/8 TORX	
11	22197	2	SPRING- MAXIM 3000 II DR TORS	
12	22198	1	TUBE- MAXIM 3000 II DOOR 1x77	
13*	17130	2	WASHER- 1in ID NYLON	
14*	22206	2	WASHER- 5/16 ID FENDER STNLS	
15*	11315	5	WASHER- 3/16 RIVET STNLS	
16		1	DESIGN MAXIM 3000 II HINGE FACING	NOT SALEABLE
17		1	DESIGN MAXIM 3000 II HASP FACING	NOT SALEABLE
18		1	DESIGN MAXIM 3000 II DOOR	NOT SALEABLE
19*	22326	1	WASHER- 1/2 FLAT STNLS	
20	18681	1	ROD- FIBERGLASS 72	

ONLY SOLD IN MULTIPLES OF 100