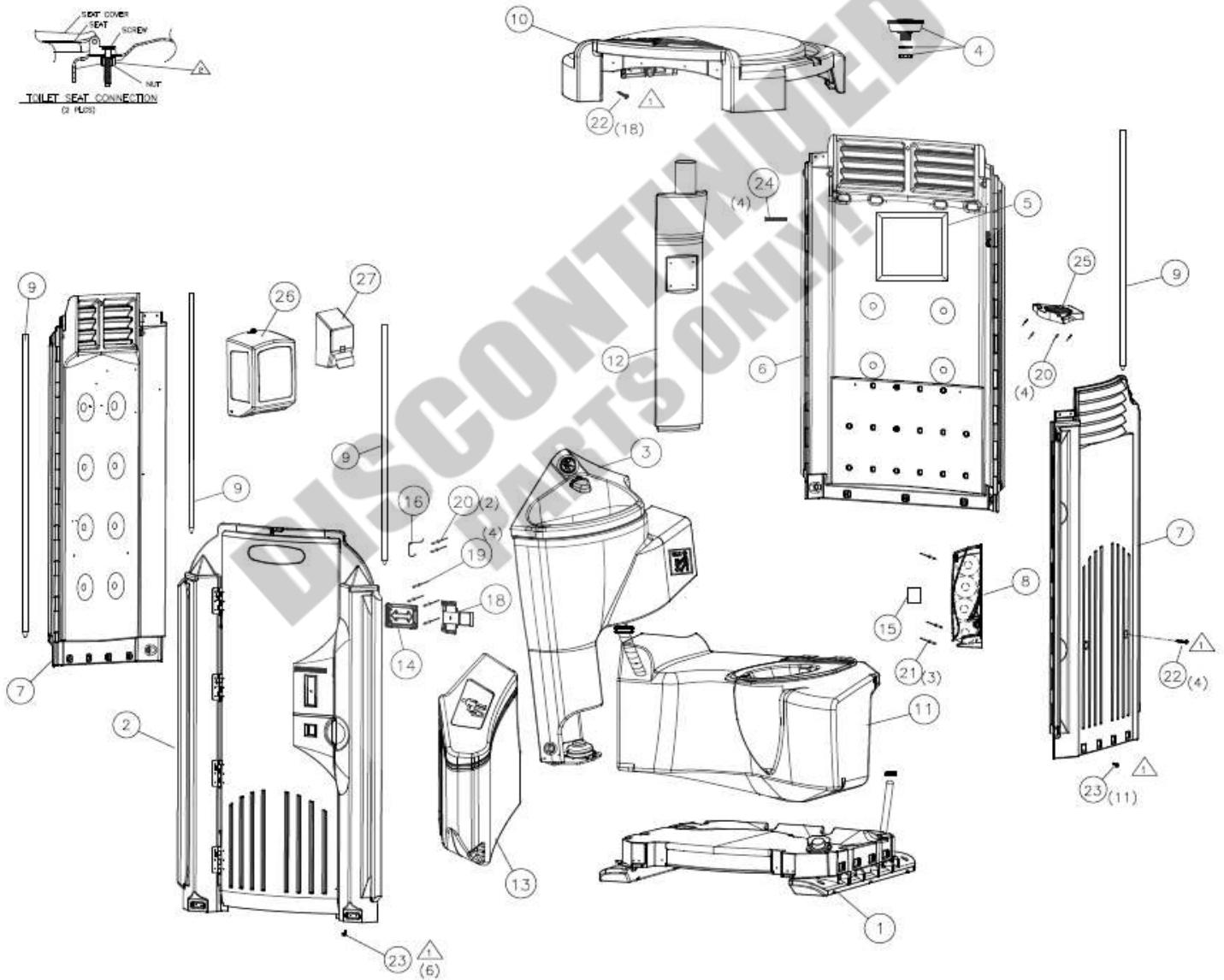


HIGH TECH II® DELUXE FLUSH MAJOR ASSEMBLY

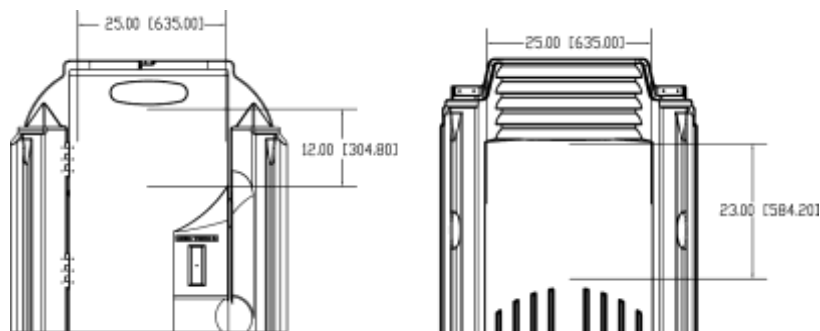
Discontinued



HIGH TECH II® DELUXE FLUSH MAJOR ASSEMBLY

REV C ITEM #	PART#	QTY PER UNIT	DESCRIPTION	PRICE EACH
1	19385	1	BASE ASSY- HT2 DTAN UPGRADE	
2	18935	1	FRONT ASSY- HT2 MTAN	
3	18972	1	HANDWASH ASSY- HT2	
	18949	1	HDWE- HT2	
4	22090	1	SOLAR LIGHT- LUNARGLO	
5	18974	1	MIRROR- 11 X 11 DOUBLE WALL	
6	18992	1	PANEL- HT2 BACK	
7	18991	2	PANEL- HT2 SIDE MTAN	
8	18955	1	PAPERGUARD- 4 ROLL VERTICAL	
9	18681	4	ROD- FIBERGLASS 72	
10	18938	1	ROOF- HT2 LTAN TINT	
11	19384	1	TANK ASSY- HT2 MTAN UPGRADE	
12	18940	1	VENT PIPE- HT2	
13	18958	1	WASTEBASKET- HT2 MTAN	
14	18943	1	COVER- HT2 LATCH MTAN	
15	19308	1	DECAL- TP DISPENSER 4 ROLL	
16	18944	1	HOOK- HT2 COAT STNLS	
17	19403	1	INSTRUCTION- HT2 UPGRADE/FLUSH	
18	18942	1	LATCH- HT2 DTAN W/DECAL	
19	18543	4	RIVET- 3/16 T PEEL	
20*	17436	10	RIVET- AVDEL SILVER	
21*	17030	3	RIVET- AVDEL BLACK	
22*	13860	22	SCREW- #14 X 1-1/2 W/WSH GOLD	
23*	19496	17	SCREW- ¼-20 X ¾ W/WSH HWHD	
18	18983	1	DECAL- HT2 IN-USE/OPEN	
23*	19496	17	SCREW- ¼-20 X ¾ W/WSH HWHD	
24	17505	4	SCREW- #10-24 X 1-1/2 STNLS PH	
25	18957	1	SHELF- HT2 MTAN	
26	21339	1	KIT- DISP P/TOWEL COMBO BLACK (Included in price of unit)	
27	20895	1	KIT- FOAM DISPENSER (EA) BLACK (Included in price of unit)	

HIGH TECH II® DELUXE FLUSH LOGO AREA



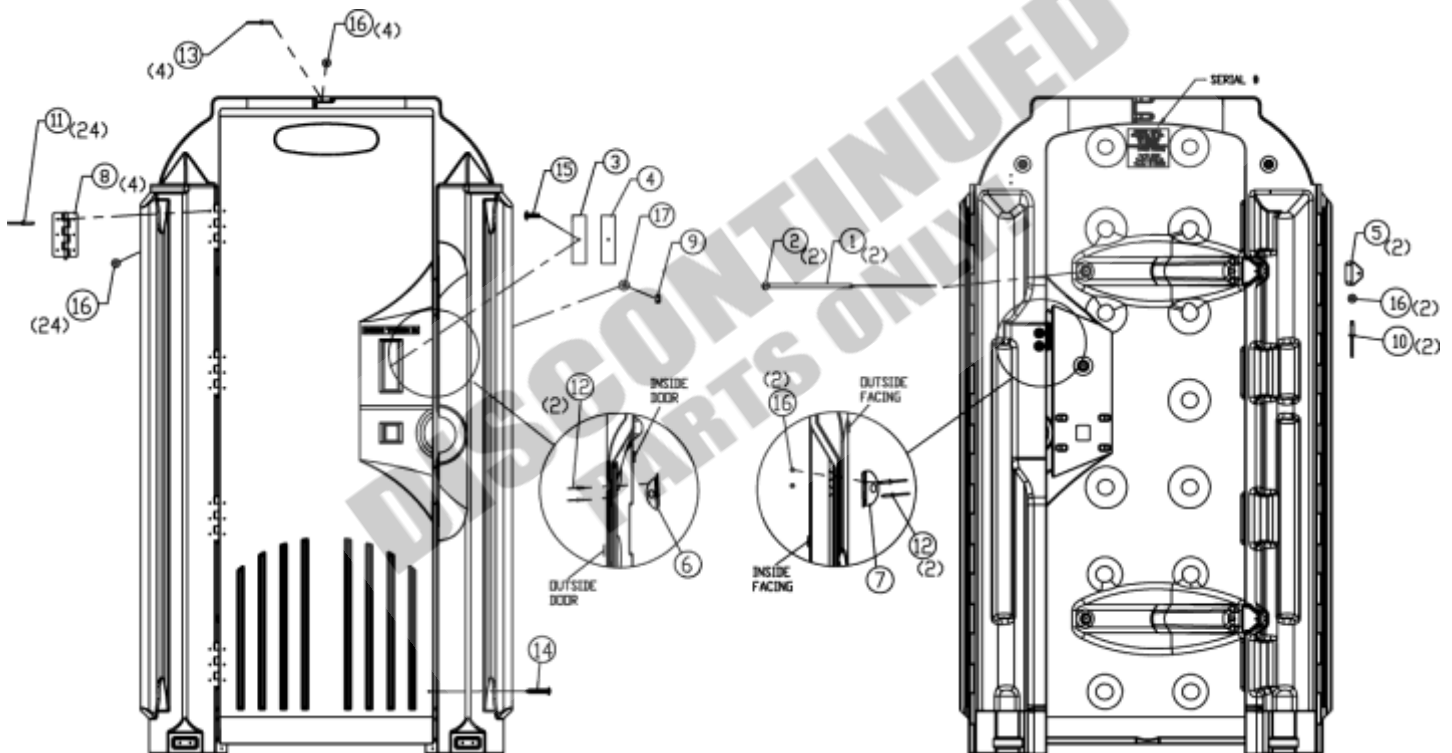
Consult your Area Manager at:

Tel: 1-800-883-1123 (US & Canada) Fax: 1-800-328-3334 (US & Canada) Español: 1-877-452-1187

Website: www.satelliteindustries.com

HIGH TECH II® FRONT ASSEMBLY

Discontinued

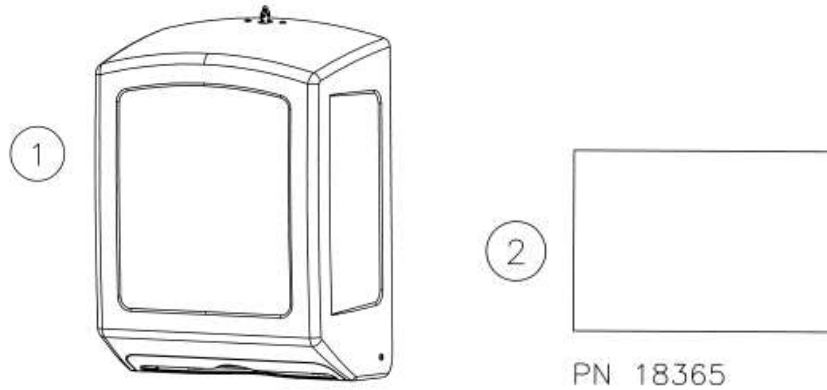


REV E ITEM #	PART#	QTY PER UNIT	DESCRIPTION	PRICE EACH
	18935	1	FRONT ASSY- HT2 MTAN	
1	18951	2	CLOSURE ASSY- HT2 DOOR	
2	18760	2	END CAP- TRS/HT2 CLOSURE	
3	18945	1	GENDER PLATE- HT2 MEN/WOMEN	
4	18946	1	GENDER PLATE- HT2 UNISEX	
5	18956	2	GUIDE- HT2 DOOR SPRING	
6	18804	1	HASP- TRS/HT2 DOOR	
7	18805	1	HASP- TRS/HT/HT2 FACING	
8	18941	4	HINGE- HT2 DOOR	
9*	13128	1	NUT- ¼-20 NYLOC	
10*	17030	2	RIVET- AVDEL BLACK	
11*	11024	24	RIVET- #610 AAP	
12*	11270	4	RIVET- #68 STNLS	
13*	11027	4	RIVET- #66 ALUM	
14*	18098	1	SCREW- #10 X 2 PN PH TAP	
15*	18705	1	SCREW- ¼-20 X3/4 TRUSS STNLS	
16*	11315	32	WASHER- 3/16 RIVET STNLS	
17*	12382	1	WASHER- ¼ FLAT STNLS	

* ONLY SOLD IN MULTIPLES OF 100

Visa / Mastercard / American Express / Discover
 \$25.00 Minimum Order — Prices and quantities subject to change / all prices are FOB FACTORY — Priced in U.S. Dollars
 20% minimum restocking charge applies on returns

HIGH TECH II® DISP P/TOWEL COMBO BLACK



REV A ITEM #	PART#	QTY PER UNIT	DESCRIPTION	PRICE EACH
1	21339	1	KIT- DISP P/TOWEL COMBO BLACK	
2	18365	1	HDWE- PAPER TOWEL DISPENSER	

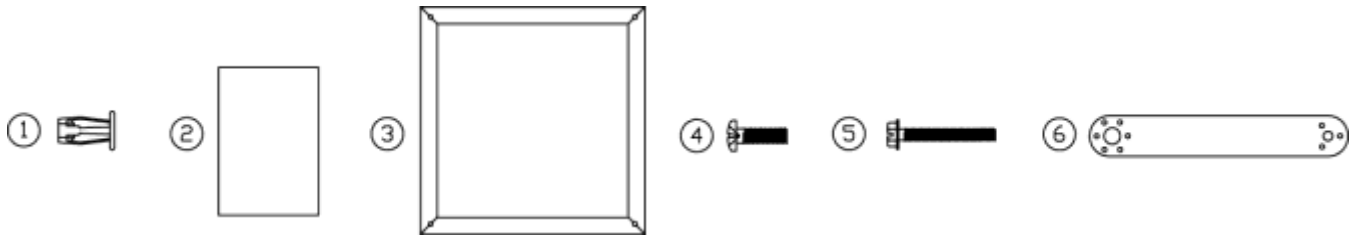
HIGH TECH II® HANDLE KIT



REV A ITEM #	PART#	QTY PER UNIT	DESCRIPTION	PRICE EACH
	18987	1	KIT- HT2 HANDLE	
1	16807	2	HANDLE- PLASTIC HOVER	
2	18988	1	INSTRUCTIONS- HT2 HANDLE ASSY	
3*	11270	4	RIVET- #68 STNLS	
4*	11315	4	WASHER- 3/16 RIVET STNLS	

* ONLY SOLD IN MULTIPLES OF 100

HIGH TECH II® MIRROR KIT (11")

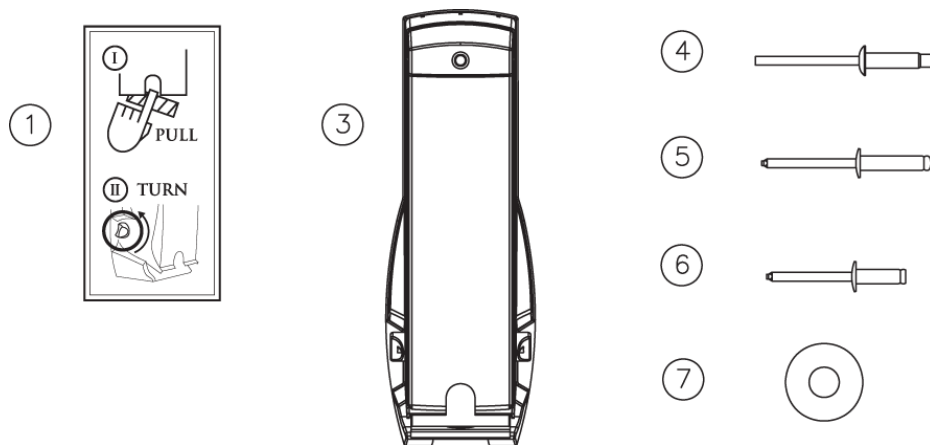


HIGH TECH II MIRROR KIT (11")

REV A ITEM #	PART#	QTY PER UNIT	DESCRIPTION	PRICE EACH
	19392	1	KIT- MIRROR 11x11 DOUBLE WALL	
1	14791	4	INSERT- #10-24 JACK NUT	
2	19391	1	INSTRUCTIONS- MIRROR 11 X 11	
3	18974	1	MIRROR- 11 X 11 DOUBLE WALL	
4*	14792	1	SCREW- #10-24 X 1 HEX PLTD	
5	17505	4	SCREW- #10-24 X 1-1/2 STNLS PH	
6	14332	1	WRENCH- JACK NUT	

* ONLY SOLD IN MULTIPLES OF 100

4-ROLL TP DISPENSER KIT



(NOTE: THIS KIT CAN BE USED ON BOTH SINGLE & DOUBLE WALL TOILETS)

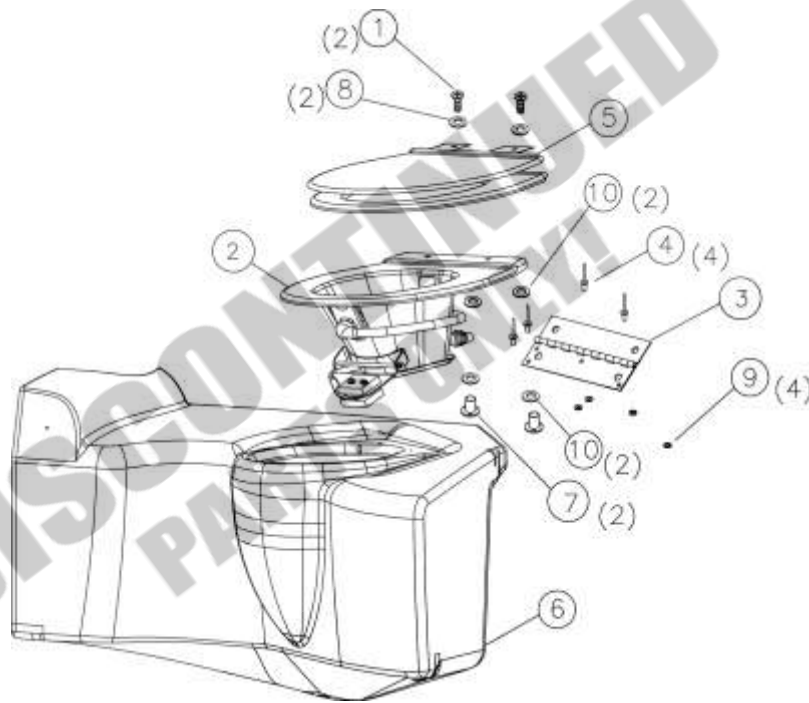
REV A ITEM #	PART#	QTY PER UNIT	DESCRIPTION	PRICE EACH
	19408	1	KIT- PAPERGRD 4 ROLL VERTICAL	
1	19308	1	DECAL- TP DISPENSER 4 ROLL	
3	18955	1	PAPERGUARD- 4 ROLL VERTICAL	
4*	17030	3	RIVET- ADVEL BLACK ***	
5*	11024	2	RIVET- #610 AAP ***	
6*	11027	1	RIVET- #66 ALUM ***	
7*	11315	3	WASHER- 3/16 RIVET STNLS	
	19407	1	INSTRUCTIONS- 4 ROLL DISPENSER (NOT SHOWN)	
	19374	1	KEY- 4 ROLL PAPERGUARD (OLD & NEW)	

Visa / Mastercard / American Express / Discover

\$25.00 Minimum Order — Prices and quantities subject to change / all prices are FOB FACTORY — Priced in U.S. Dollars
20% minimum restocking charge applies on returns

HIGH TECH II® DELUXE FLUSH TANK UPGRADE

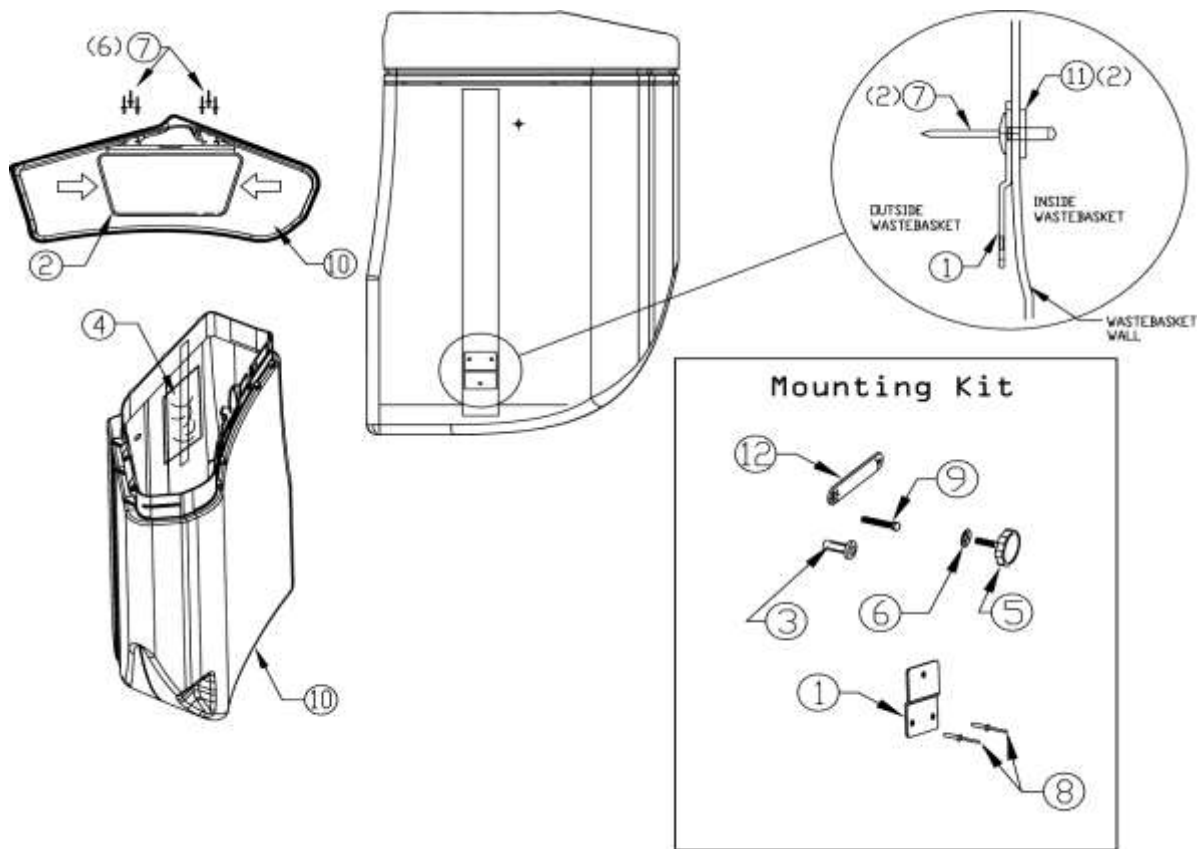
Discontinued



REV B ITEM #	PART#	QTY PER UNIT	DESCRIPTION	PRICE EACH
	19384	1	TANK ASSY- HT2 MTAN UPGRADE	
1*	19381	2	BOLT- ¼-20 X ½ PN HD STNLS	
2	18973	1	BOWL ASSY- FLUSH STNLS	
3	17169	1	HINGE- FLUSH BOWL	
4*	11270	4	RIVET- #68 STNLS	
5	18947	1	SEAT- ELONG HT2 MTAN	
6	18939	1	TANK- HT2 MTAN	
7*	16884	2	T-NUT- ¼-20 X ¾ PLTD	
8*	12382	2	WASHER- ¼ FLAT STNLS	
9*	11315	4	WASHER- 3/16 RIVET STNLS	
10*	11368	4	WASHER- 5/16 FLAT STNLS	
11	19386	1	CLAMP- WORMDRIVE #16	
12	19259	1	DECAL- HT2 FLUSH INSTRUCTIONS	
13	18971	1	DECAL- HT2 ICON	
14	19260	1	DECAL- TOILET PAPER ONLY	

* ONLY SOLD IN MULTIPLES OF 100

HIGH TECH II® WASTEBASKET

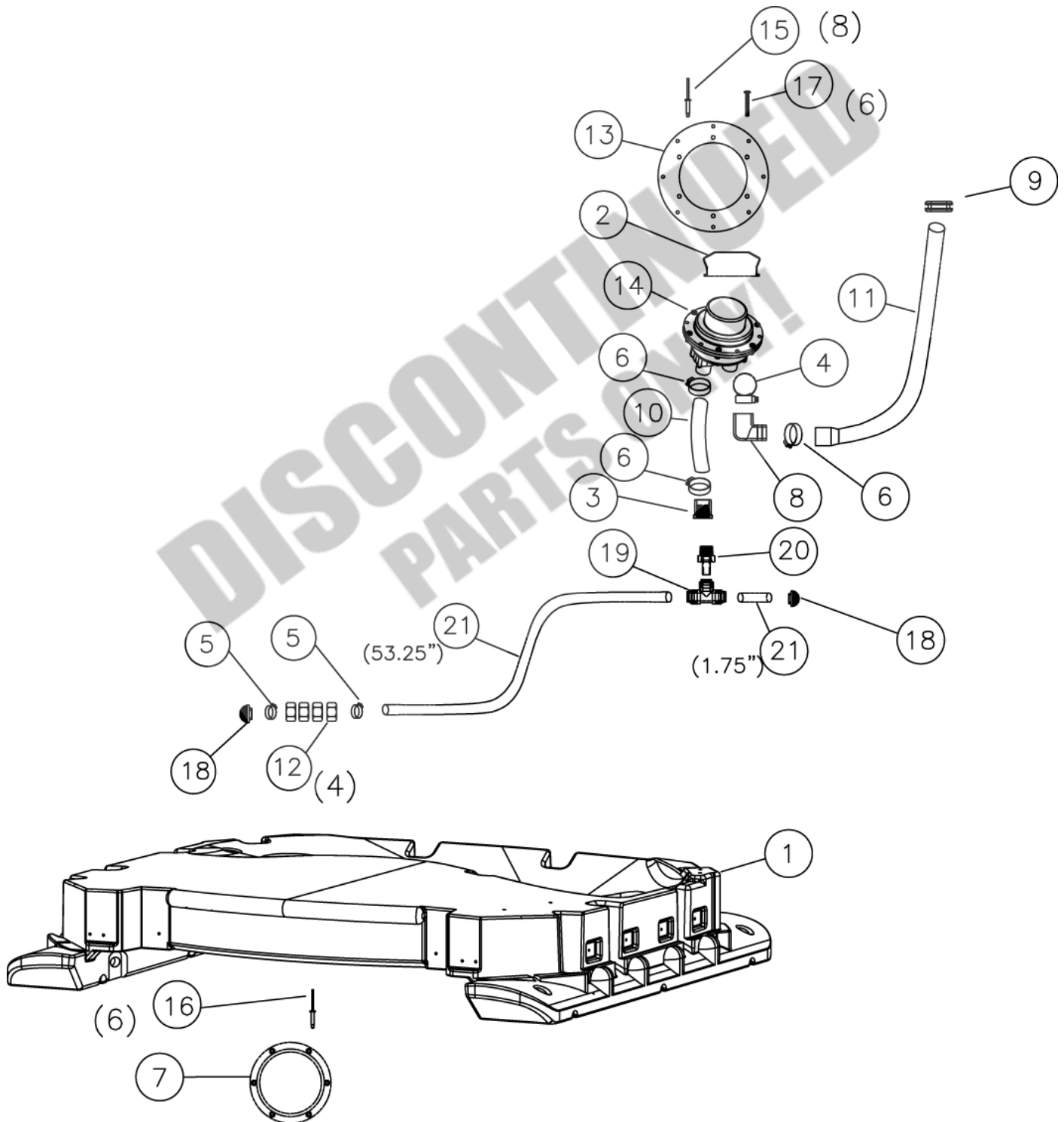


REV C ITEM #	PART#	QTY PER UNIT	DESCRIPTION	PRICE EACH
	18958	1	WASTEBASKET- HT2 MTAN	
1	18969	1	BRACKET- HT2 URINAL	
2	19322	1	DOOR ASSY- HT2 WSTBKT	
3	14331	1	INSERT- 1/4-20 JACK NUT STEEL	
4	20573	1	KIT- HT2 WASTEBASKET MOUNTING	
5	20562	1	KNOB SCREW- 1/4-20 X 3/4 STEEL	
6	20561	1	PUSH NUT- 1/4-20 ROUND STNLS	
7*	11027	8	RIVET- #66 ALUM	
8*	17436	2	RIVET- AVDEL SILVER	
9*	14792	1	SCREW- #10-24 X 1 HEX PLTD	
10	18975	1	TOP/BOTTOM- HT2 WSTBSKT	
11*	11315	2	WASHER- 3/16 RIVET STNLS	
12	14332	1	WRENCH- JACK NUT	

* ONLY SOLD IN MULTIPLES OF 100

HIGH TECH II® DELUXE FLUSH BASE ASSEMBLY

Discontinued



Visa / Mastercard / American Express / Discover
 \$25.00 Minimum Order — Prices and quantities subject to change / all prices are FOB FACTORY — Priced in U.S. Dollars
 20% minimum restocking charge applies on returns

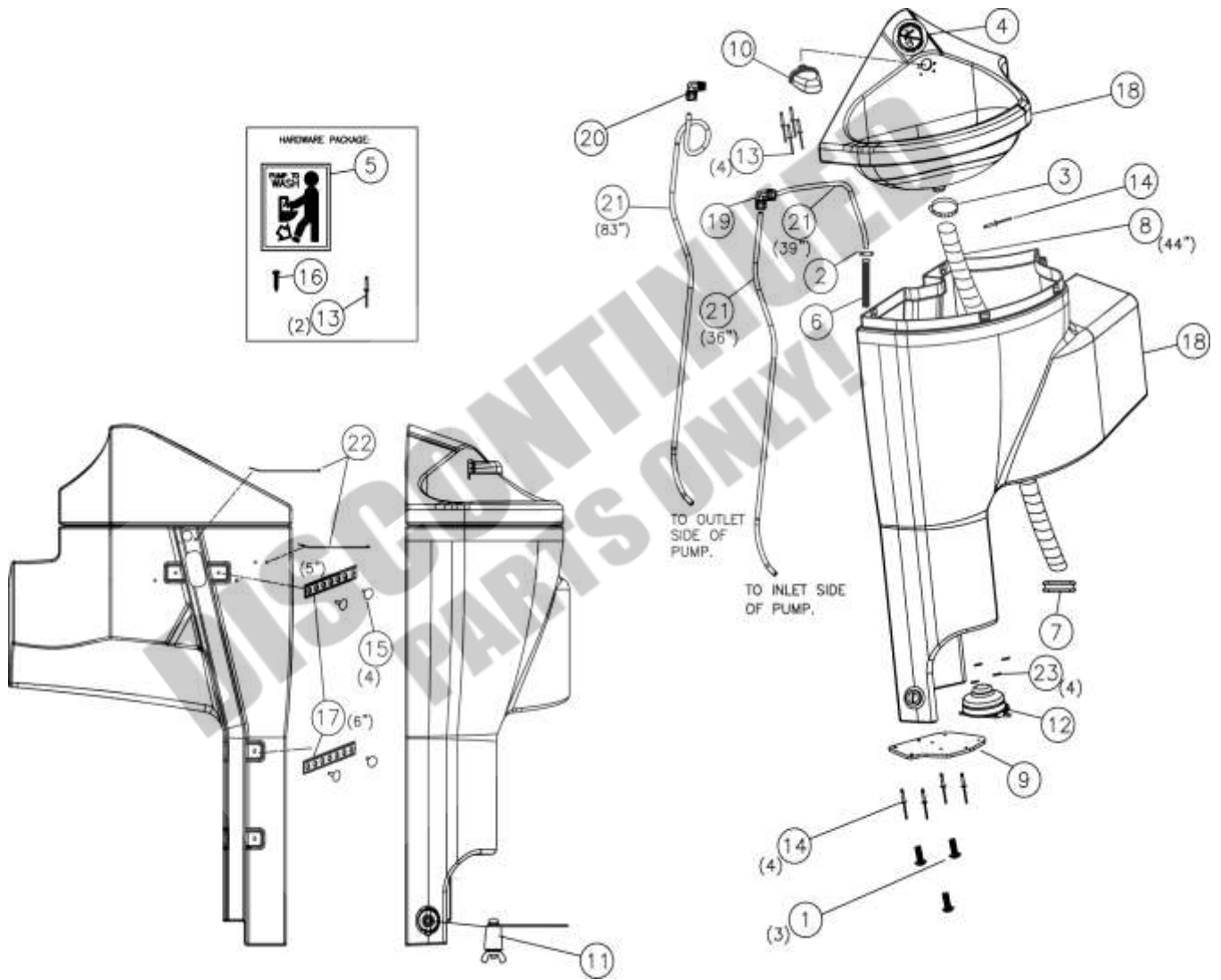
HIGH TECH II® DELUXE FLUSH BASE ASSEMBLY

REV B ITEM #	PART#	QTY PER UNIT	DESCRIPTION	PRICE EACH
	19385	1	BASE ASSY- HT2 DTAN UPGRADE	
1	18932	1	BASE- HT2 DTAN	
2	15801	1	BOOT- BUTTON PUMP (BLUE)	
3	19276	1	BUSHING- ¾SP X ½FPT PVC40	
4	17498	1	CLAMP- #30 HI-TORQUE	
5	10280	2	CLAMP- WORMDRIVE #6 STNLS	
6	19386	3	CLAMP- WORMDRIVE #16	
7	19268	1	DECK PLATE- 4in PRY OFF	
8	14958	1	ELBOW- 90 1in PMP SLP X BOR HS	
9	19270	1	GROMMET- 1in ID	
10	15325	3.3"	HOSE- 1 ROLLERFLEX 1100 GREEN	
11	17097	1	HOSE- ¾ X 72 GREEN	
12	19271	4	NUT- 5/8-11 NC STNLS	
13	18970	1	PLATE- HT2 FLUSH PUMP	
14	17504	1	PUMP- STRAIGHT GUZZLER FOOT	
15*	18755	8	RIVET- AVDEL SILVER LONG	
16*	17030	6	RIVET- AVDEL BLACK	
17*	19184	6	SCREW- #10-24 1-1/2 STNLS PHPN	
18	19269	2	STRAINER- .375 ID	
19	19274	1	TS FITTING- ½ TEE HOS x HOS	
20	19275	1	TS FITTING- ½FPT STEM ADAPTR	
21	15965	55"	TS HOSE- ½ OD TUBING	

* ONLY SOLD IN MULTIPLES OF 100

HIGH TECH II® DELUXE FLUSH HANDWASH

Discontinued



HIGH TECH II® DELUXE FLUSH HANDWASH

REV H ITEM #	PART#	QTY PER UNIT	DESCRIPTION	PRICE EACH
	18972	1	HANDWASH ASSY- HT2	
1*	19381	3	BOLT- ¼-20 X ½ PN HD STNLS	
2	10280	1	CLAMP- WORMDRIVE #6 STNLS	
3	19386	1	CLAMP- WORMDRIVE #16	
4	13776	1	DECAL- DO NOT DRINK	
5	18995	1	DECAL- HT2 HW INSTRUCTION	
6	16829	1	FILTER- ½ X 3-1/2 CYLINDER	
7	19390	1	GROMMET- 1-1/4in ID	
8	14780	44"	HOSE- 1in LOW PRESSURE	
9	18984	1	MOUNTING PLATE- HT2 HW PUMP	
10	18954	1	NOZZLE- HT2 MTAN	
11	20576	1	PLUG- ¼ EXPANDING W/TETHER	
12	16305	1	PUMP- BABY FOOT 3/8 HOSE INS	
13*	14427	2	RIVET- #66 LSH W/LOCK MANDREL	
14*	11027	5	RIVET- #66 ALUM	
15*	16804	4	RIVET- PINE TREE ¼ X 9/16	
16*	15513	1	SCREW-#8 X ¾ TAP STNLS	
17	16873	11"	STRAPPING- 5/8 PERFORATED	
18	19263	1	HANDWASH- HT2 TANK/BASIN SET	NOT SALEABLE
19	16656	1	TS FITTING- 90DEG 3/8 HOSxHOS	
20	16301	1	TS FITTING- 90DEG 3/8 HOSxNPTF	
21	16304	158"	TS HOSE- 3/8 OD TUBING	
22	11261	2	TIE- WIRE 6in	
23*	11315	4	WASHER- 3/16 RIVET STNLS	
	20508	1	BOOT – BABY FOOT PUMP (BLACK)	

* ONLY SOLD IN MULTIPLES OF 100